

Genuine Accessories



Vehicle Model G90

Model Year	2017~
Part No.	D2F46 AK000
	D2F46 AU100
Language	English
Rev. Date	8/10/2016

Accessory: Front Mudguards

Difficulty: B

Note: Difficulty stated above reflects the minimum level of expertise required to install the accessory:
 (A) Customer
 (B) Dealer Technician
 (C) Master Technician or Specialist

Instructional Symbols / Definitions

	Denotes warnings that may lead to serious physical injury or vehicle damage		Denotes quality processes to be checked prior to moving to the next step	Denotes personal protective equipment (PPEs) that may be required for a step. Examples of safety equipment icons noted below:	
	Denotes cautions to be taken to avoid physical injury or electronic component damage		Denotes specific tools that are necessary to complete a step		
	Denotes cautions to be taken to avoid vehicle and component damage	N O T E	Denotes important information to be reviewed during the step		

Basic Required Tools

Right Angle #2 Phillips Screwdriver	Clip Removal Tool

Part Weight (Gross)

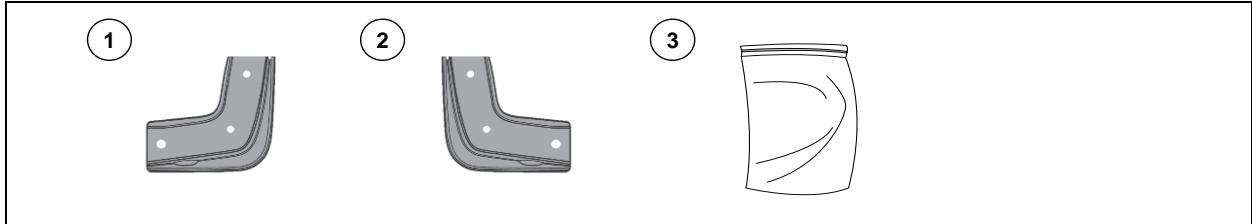
0.43	lbs
0.20	kg

All dealers must determine if the weight they have added in the form of all options or accessories, when added to the weight of all Port/Dealer Installed options or accessories, exceeds the lesser of 1.5% of GVWR or 100 lbs. If the additional weight does exceed the lesser of the indicated thresholds, a "Load Carrying Capacity Reduced" label must be installed. A black, fine-point, indelible marker must be used to write by hand onto the label, the reduced carrying capacity in kilograms or pounds, which is the total weight of all added options and accessories.

Notes to the installer:

- 1 Read the entire Installation Instructions prior to beginning the installation of the part.
- 2 Make sure the vehicle is completely clean and dry in the area(s) the part is to be installed.
- 3 Ensure the vehicle is properly protected in the area(s) that the accessory is to be installed.
- 4 NEVER place tools on painted surfaces, seating surfaces, dash pad, console or floor carpet/mats.
- 5 Always wear appropriate personal protective equipment, including gloves, safety glasses, etc., when required.

Kit Overview




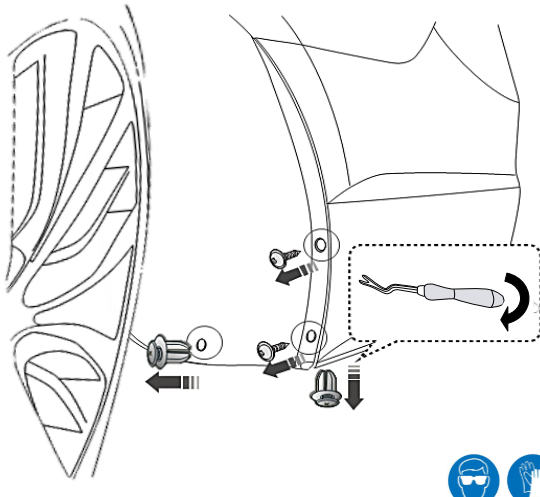
No.	Qty	Description
1	1	Front Mudguard (LH)
2	1	Front Mudguard (RH)
3	1	Hardware Bag


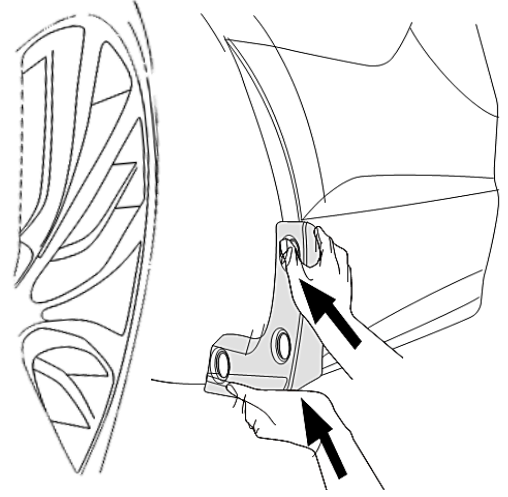

Hardware Kit Contents


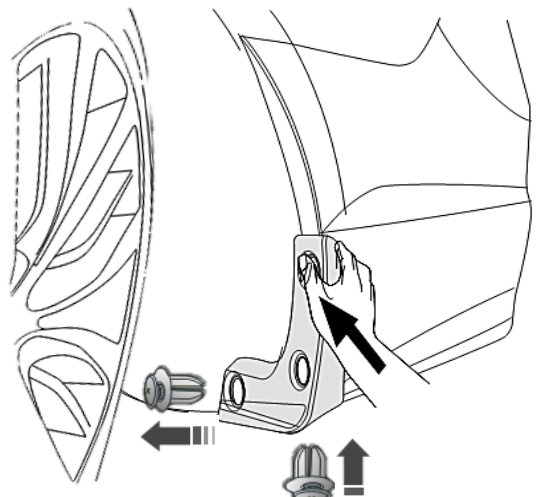
A		B	
4	Self Tapping Screw	4	Plastic Retainer


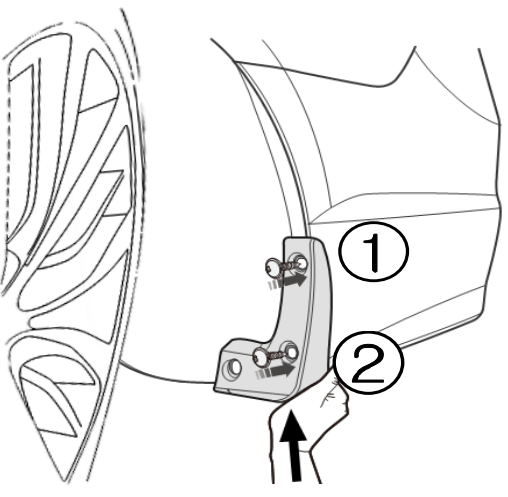

Hardware Total
8


Genuine Accessories

1		Right Angle #2 Phillips Screwdriver and Clip Removal Tool
		
N O T E	<ol style="list-style-type: none"> 1. Turn the wheels to make more room while installing and removing the screws. 2. Release the center portion of two (2) Plastic Retainers and remove the Plastic Retainers from the vehicle as shown. 3. Remove the two (2) Screws from the highlighted areas as shown. 4. Discard the removed hardware. 	

2		
		
N O T E	<ol style="list-style-type: none"> 1. Align the Front Mudguard as shown ensuring a proper fit. 	
	<p>Make sure to push the mudguard upward and in during the installation to eliminate any possible gaps.</p>	

3		
		
N O T E	<ol style="list-style-type: none"> 1. While pushing the Front Mudguard up as shown, insert one (1) Plastic Retainer into the inboard hole. Make sure to push in the center portion of the retainer to lock the retainer in place. 2. Insert one (1) Plastic Retainer into the underside hole. Make sure to push in the center portion of the retainer to lock the retainer in place. 	

4		Right Angle #2 Phillips Screwdriver
		
N O T E	<ol style="list-style-type: none"> 1. While pushing the Front Mudguard up and in, insert and fasten one (1) Self Tapping Screw into the upper hole. 2. Insert and fasten one (1) Self Tapping Screw into the lower hole (2). 3. Repeat steps 1-4 for the opposite side. 	
	<p>After the installation, check for any visible gaps. If any gap exceeds 0.5mm, loosen the mounting screws and refit the Front Mudguard to the body to achieve the correct specification. Be careful not to over-tighten or strip the head of the screw.</p>	

Visual Check	
	Item to be Checked
	Make sure the Front Mudguard is properly aligned to the vehicle.

Result	
	Front Mudguard is properly aligned.